

Style Transfer

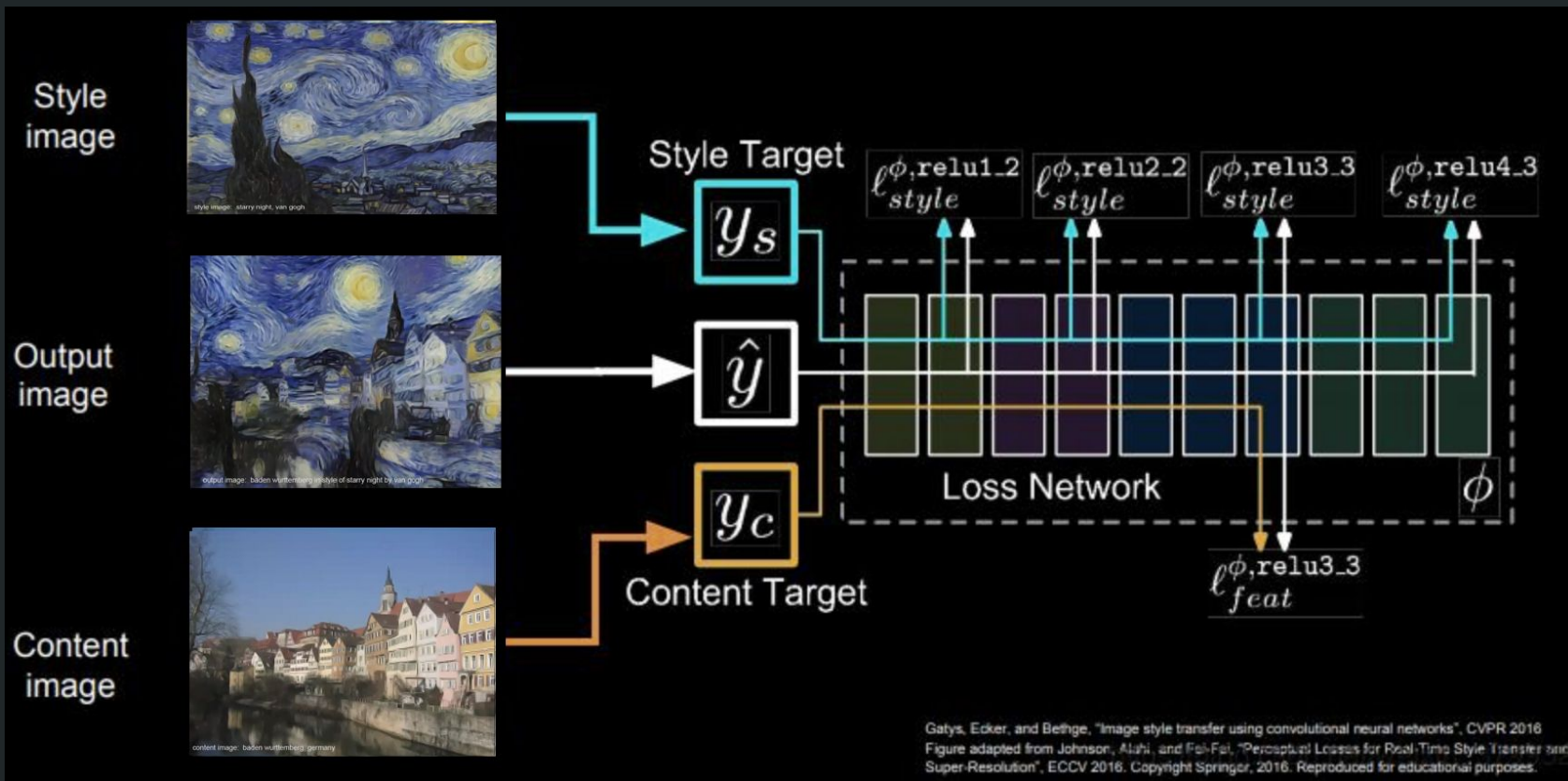
Team:

Muhammadjon Hokimiyon

Sadi Toirov

Neural Style Transfer

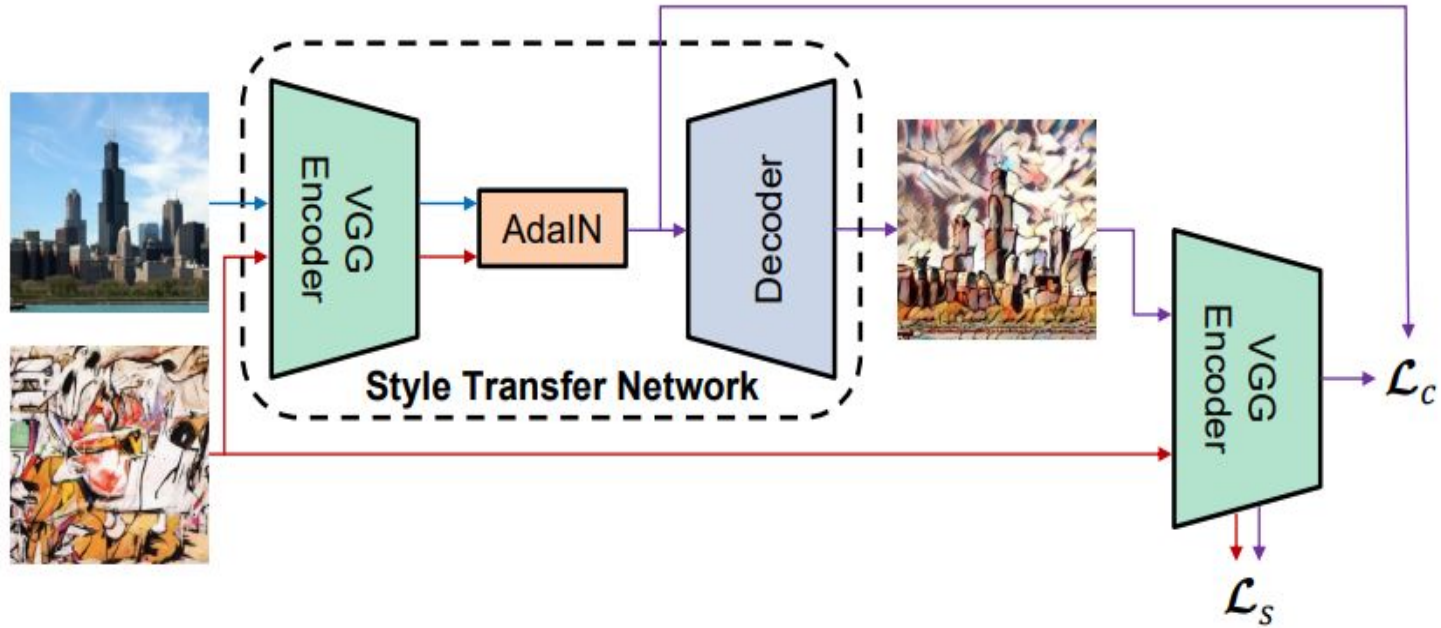
Architecture



Gatys, Ecker, and Bethge, "Image style transfer using convolutional neural networks", CVPR 2016
Figure adapted from Johnson, Alahi, and Fei-Fei, "Perceptual Losses for Real-Time Style Transfer and Super-Resolution", ECCV 2016. Copyright Springer, 2016. Reproduced for educational purposes.

Fast Neural Style Transfer

Architecture



Implementation

- Models: PyTorch
 - API: FastAPI
 - Interface: Flutter
-

Examples

content_image



style_image



generated_image



content_image



style_image



generated_image



content_image



style_image



generated_image



content_image



style_image



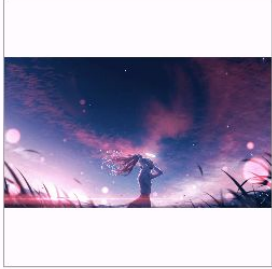
generated_image



DEMO

Style Transfer

Content



Choose image

Style

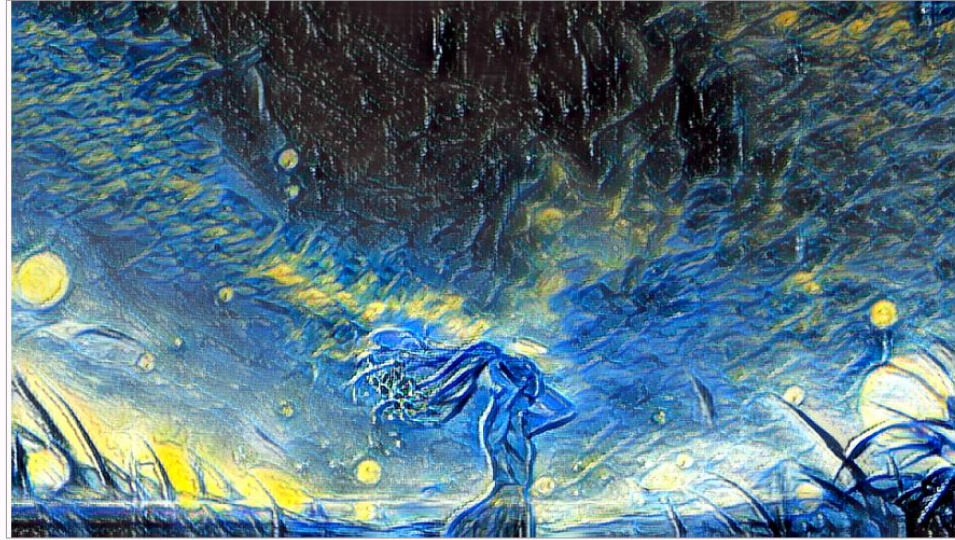


Choose image

Submit

Download

Result



Control panel

Width

Height

Epochs

Content weight

Style weight

Style Transfer

Content



Choose image

Style



Choose image

Submit

Download

Result



Control panel

Width
960

Height
600

Epochs
30

Content weight

Style weight

Style Transfer

Content



Choose image

Style

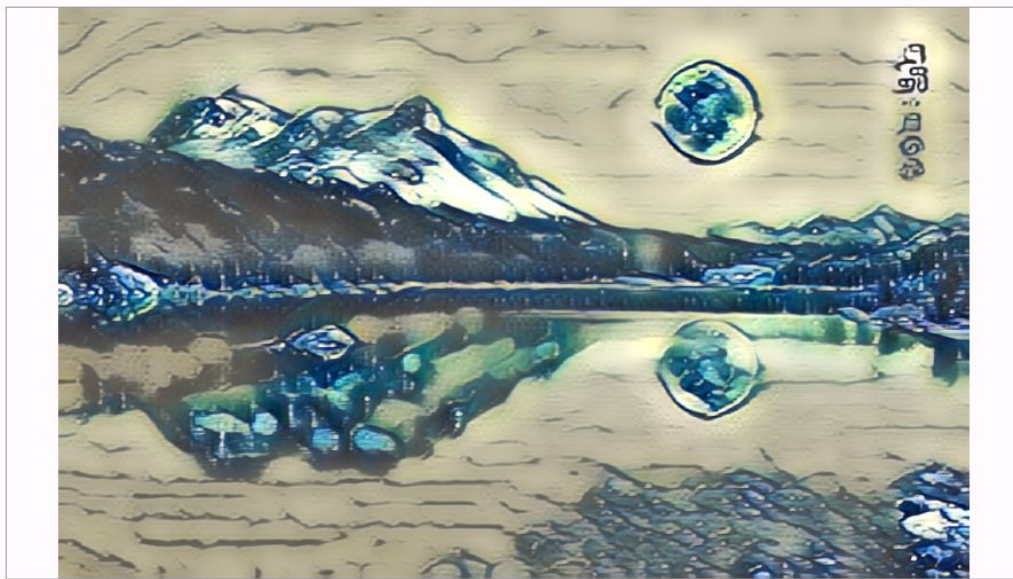


Choose image

Submit

Download

Result



Control panel

Width

Height

Epochs

Content weight

Style weight

Style Transfer

Content



Choose image

Style



Choose image

Submit

Download

Result



Control panel

Width

Height

Epochs

Content weight

Style weight

Style Transfer

Content



Choose image

Style



Choose image

Submit

Download

Result



Control panel

Width

Height

Epochs

Content weight

Style weight

Style Transfer

Content



Choose image

Style



Choose image

Submit

Download

Result



Control panel

Width

Height

Epochs

Content weight



Style weight



Style Transfer

Content



Choose image

Style



Choose image

Submit

Download

Result



Control panel

Width
1024

Height
679

Epochs
30

Content weight

Style weight

DEMO VIDEO

Any questions ?
